

Part Index

*not to scale

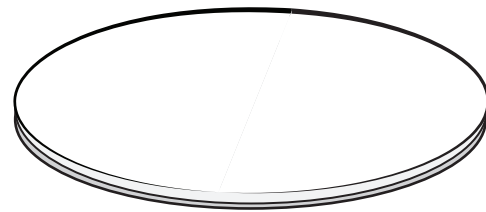
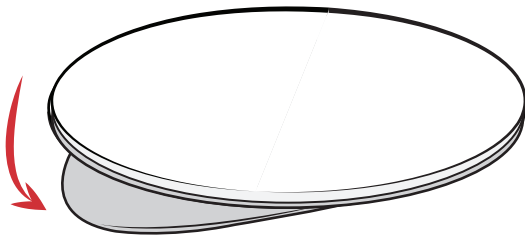
*Clean surface with alcohol prep pad and let dry prior to applying adhesive



x 1

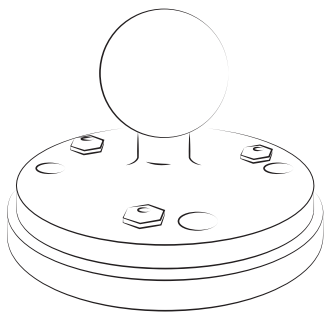


x 1

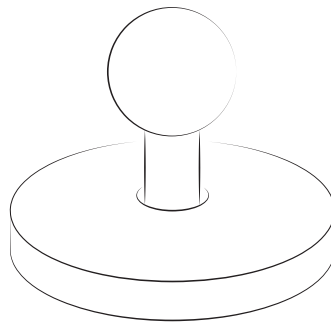


Allow at least 24 hours for adhesive to fully bond to surface before mounting your device

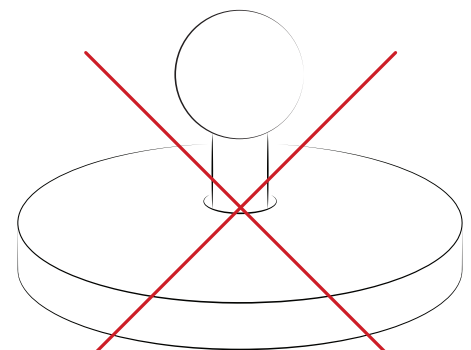
Compatible Magnetic Ball Bases



RAM-B-202-339U



RAM-B-MAG66U



RAM-B-MAG88U

Magnets on this base are too strong and may pull adhesive away

RPR-INS-343-P



Safety Precaution

Do not install this product near or over an airbag deployment area or in a location that obstructs the driver's vision or interferes with vehicle operation. National Products, Inc does not assume responsibility or liability for any such personal injury, death or property damage.