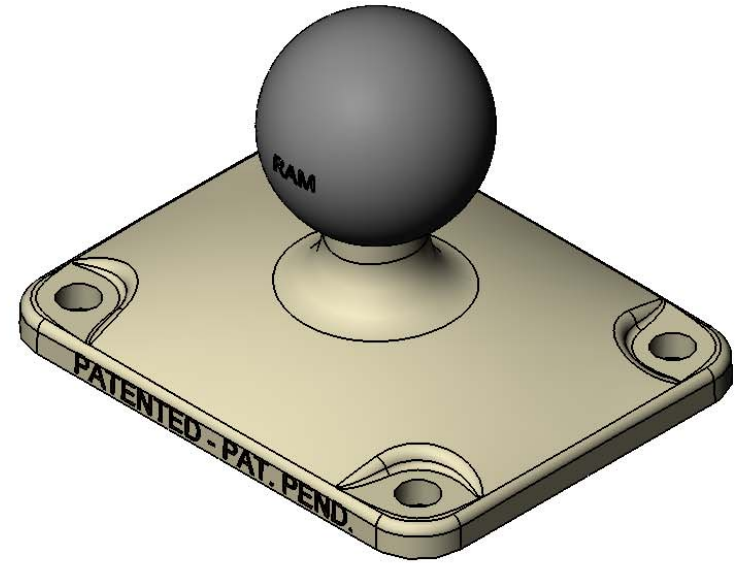
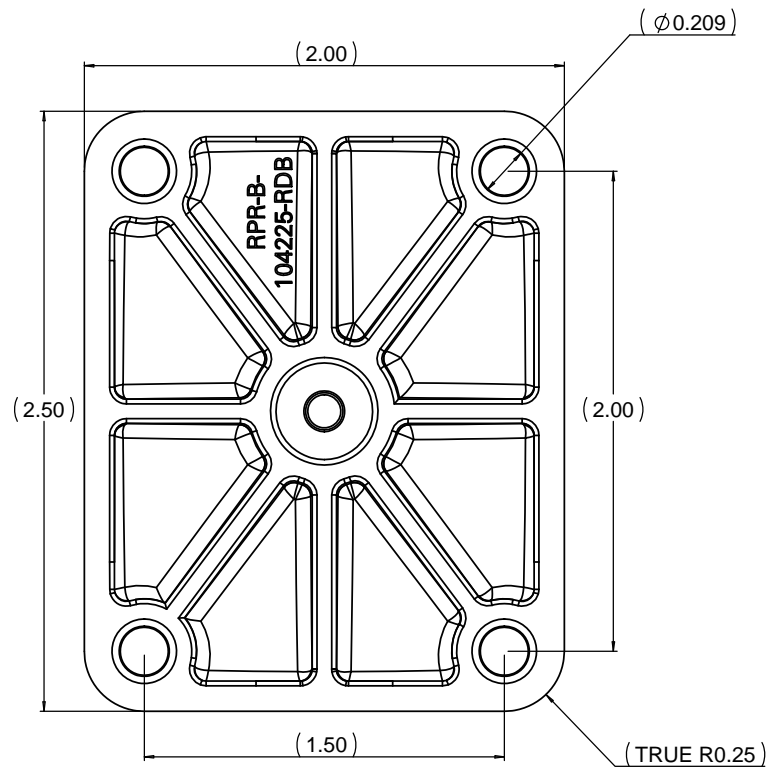
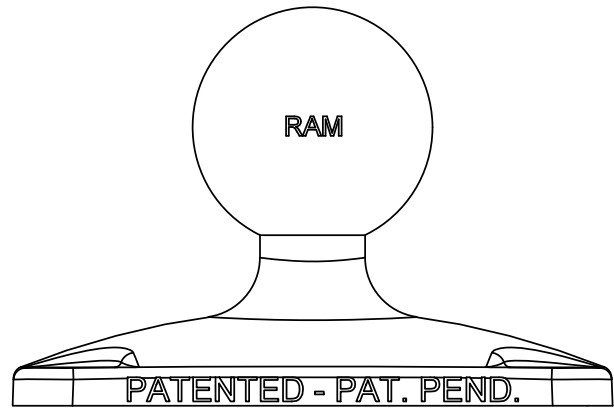
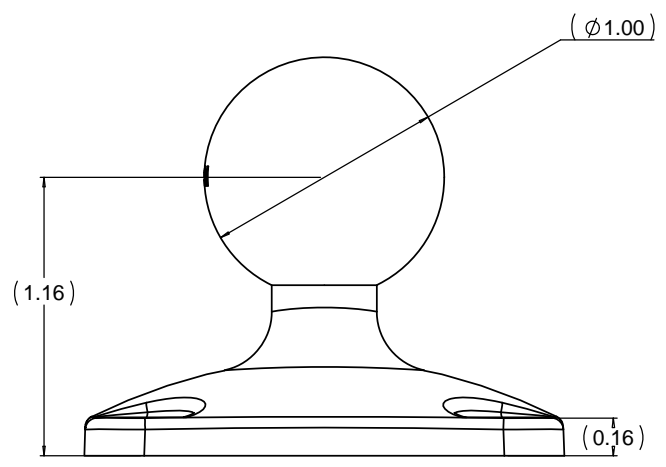


THE INFORMATION CONTAINED IN THIS DRAWING IS THE SOLE PROPERTY OF NATIONAL PRODUCTS INC. ANY REPRODUCTION IN PART OR WHOLE WITHOUT THE WRITTEN PERMISSION OF NATIONAL PRODUCTS INC. IS PROHIBITED.

REV	DESCRIPTION	REVISIONS	DATE	APPROVED



UNLESS OTHERWISE SPECIFIED DIMENSIONS ARE IN INCHES FRACTIONS DECIMALS ANGLES + 1/32 XX + .03 + -1 DEG XXX + .010	CAD GENERATED DRAWING DO NOT MANUALLY UPDATE		NATIONAL PRODUCTS INC.	
	APPROVALS	DATE	RAM 2" X 2 1/2" BASE WITH 1" DIA. RUBBER BALL	
MATERIAL GLASS FILLED PC & TPU	DRAWN JDC	03/23/16	CHECKED CMR	03/23/16
FINISH BLACK	RESP ENG		MFG ENG	
DO NOT SCALE DRAWING	QUAL ENG		ISS. NO. C	RAP-B-202U-225
			SCALE 1 TO 1	CAD FILE: RAP-B-202U-225 SHEET 1 OF 1