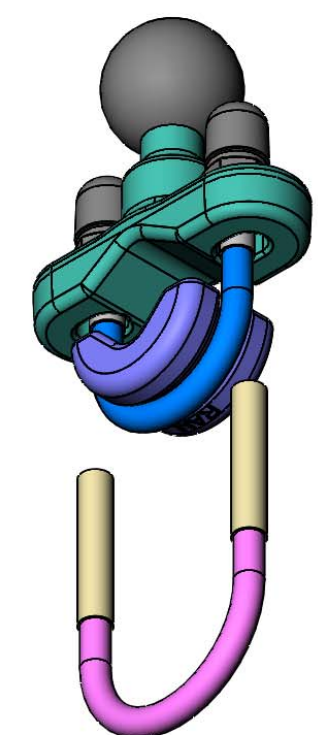
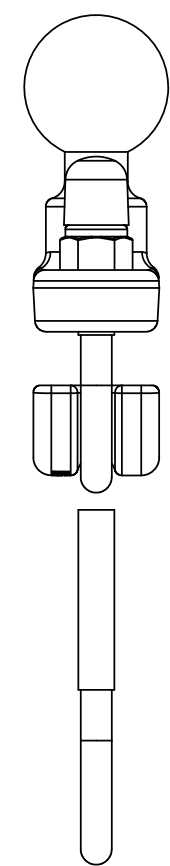
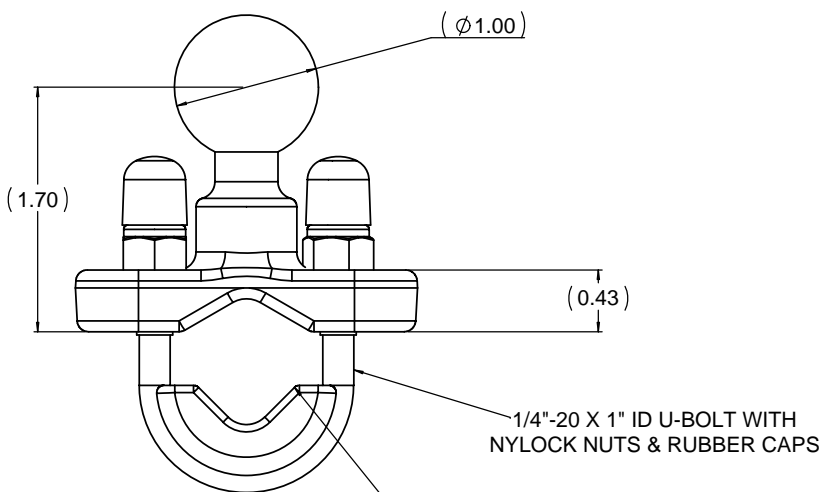


THE INFORMATION CONTAINED IN THIS DRAWING IS THE SOLE PROPERTY OF NATIONAL PRODUCTS INC. ANY REPRODUCTION IN PART OR WHOLE WITHOUT THE WRITTEN PERMISSION OF NATIONAL PRODUCTS INC. IS PROHIBITED.

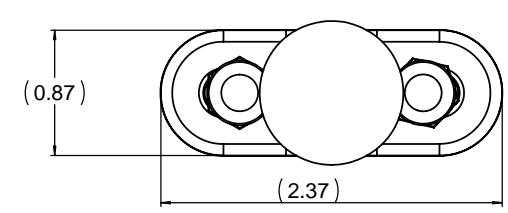
REV		DESCRIPTION	REVISIONS	DATE	APPROVED



1/4"-20 X 1" ID U-BOLT WITH NYLOCK NUTS & RUBBER CAPS

1/2" MIN. - 3/4" MAX. RUDUCER

1/4"-20 X 1 1/4" ID U-BOLT WITH NYLOCK NUTS & RUBBER CAPS



HARDWARE PART ID	PART DESCRIPTION	QTY
RMR-SU251Z	1/4-20 X 1.06 ID X 1.75 BLK STEEL U-BOLT	1
RMR-SU251Z2	1/4-20 X1.25"ID X 2.5"ZINC PLT ST U-BOLT	1
RPR-319	RAM U-BOLT ADAPTER FOR HANDLEBARS	1
RMR-NUT25Z	1/4"-20 NYLOCK NUT BLACK STEEL	2
RMR-RUBCAP1	RUBBER CAP FOR 1/4" HARDWARE	2

UNLESS OTHERWISE SPECIFIED DIMENSIONS ARE IN INCHES FRACTIONS DECIMALS ANGLES + 1/32 XX+ .06 +.1 DEG. XXX+ .030	CAD GENERATED DRAWING. DO NOT MANUALLY UPDATE		NATIONAL PRODUCTS INC.	
	APPROVALS	DATE	RAM 1/2" TO 1" DIA. BASE WITH 1" DIA. RUBBER BALL & STST U-BOLTS	
MATERIAL: STAINLESS STEEL ALUMINUM & RUBBER	DRAWN: JDC	04/14/16	CHECKED: CMR	04/14/16
FRESH: BLACK	MFG ENG		ISS: C	REV: C
DO NOT SCALE DRAWING	DUAL ENG		SCALE: 1 TO 1	CAD: TEL: RAM-B-231ZU SHEET 1 OF 1