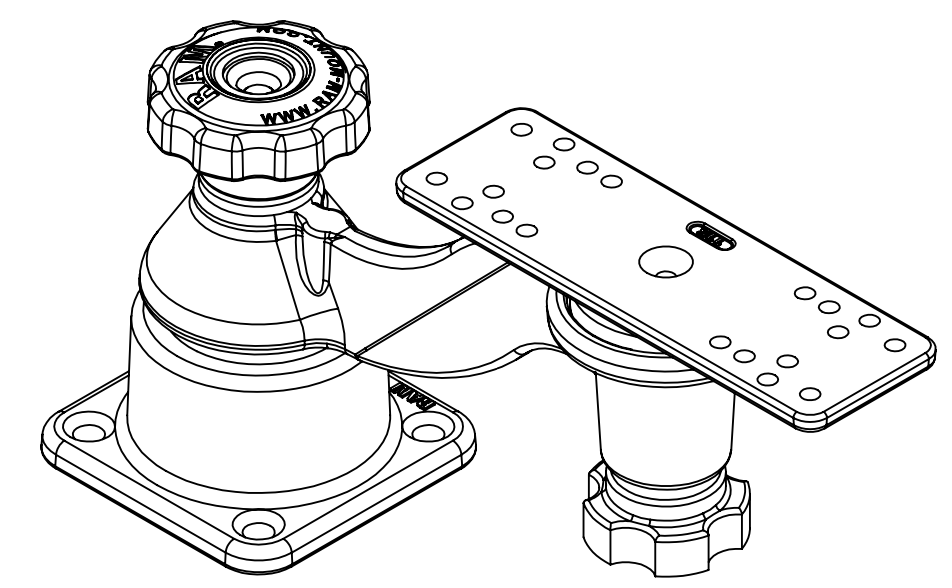
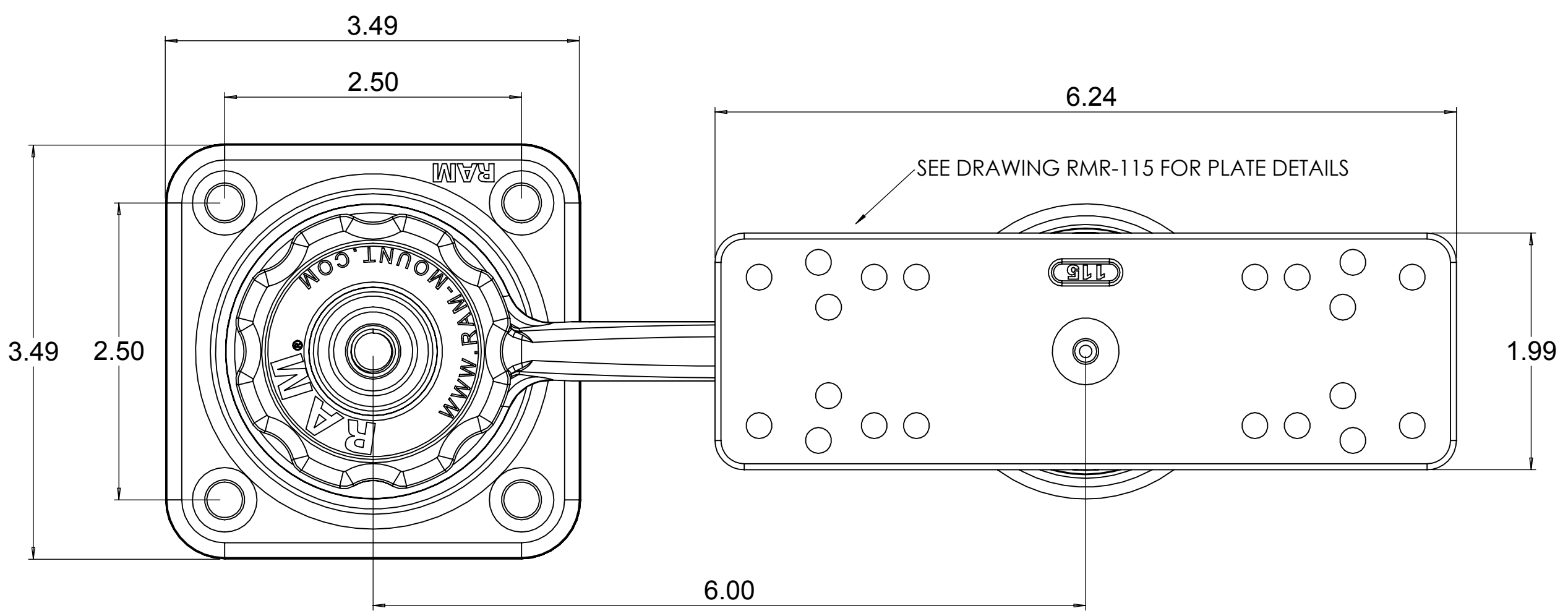
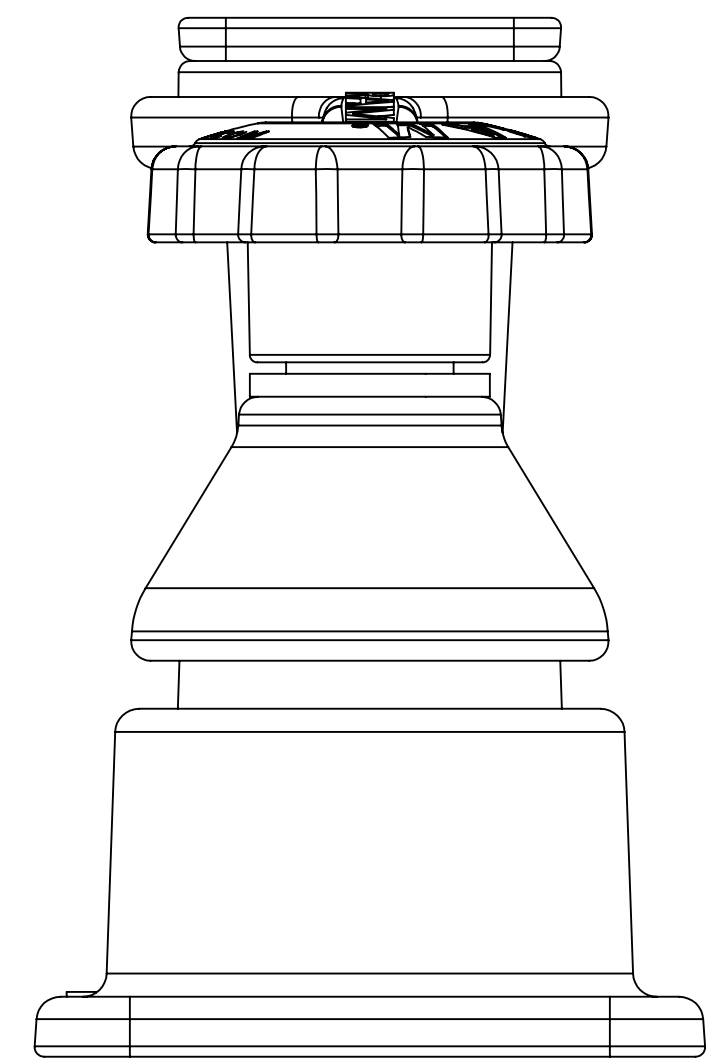
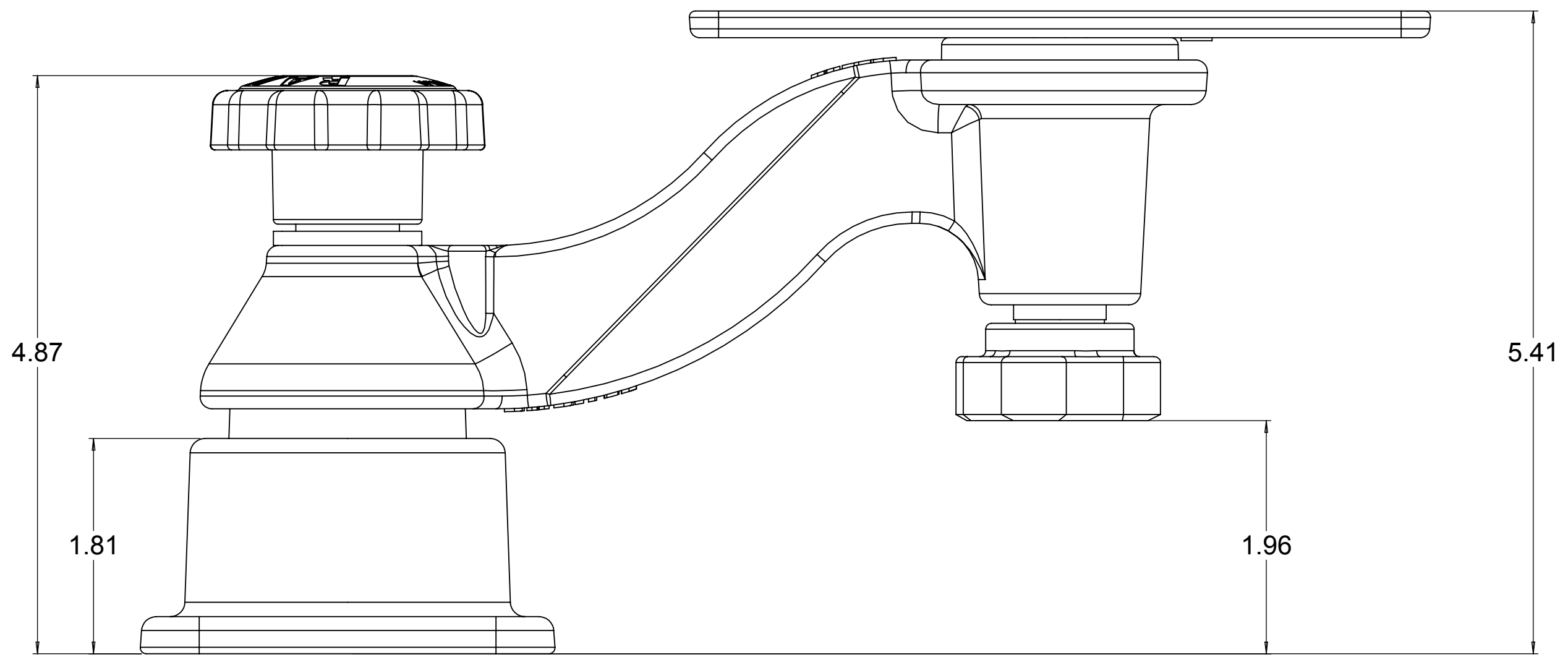


THE INFORMATION CONTAINED IN THIS DRAWING IS THE SOLE PROPERTY OF NATIONAL PRODUCTS INC. ANY REPRODUCTION IN PART OR WHOLE WITHOUT THE WRITTEN PERMISSION OF NATIONAL PRODUCTS INC. IS PROHIBITED.

| REV. |  | DESCRIPTION | REVISIONS | DATE | APPROVED |
|------|--|-------------|-----------|------|----------|
|      |  |             |           |      |          |
|      |  |             |           |      |          |



|   |  |          |   |                    |
|---|--|----------|---|--------------------|
| UNLESS OTHERWISE SPECIFIED DIMENSIONS ARE IN INCHES<br>TOLERANCES ARE:<br>FRACTIONS DECIMALS ANGLES<br>+ - 1/32 .XX+ -.06 + - 1 DEG.<br>.XXX+ -.030 | CAD GENERATED DRAWING.<br>DO NOT MANUALLY UPDATE |          | NATIONAL PRODUCTS INC.  |                    |
|   | APPROVALS  | DATE     | RAM HORIZONTAL BASE<br>WITH SINGLE 6" SWING ARM<br>AND 2" X 6.25" PLATE |                    |
|   | DRAWN: SMG                                       | 07/05/17 |   |                    |
|   | CHECKED:   |          |   |                    |
| MATERIAL: ALUMINUM  | RESP ENG:  |          | SIZE: C   | DWG. NO.: RAM-109H |
| FINISH: BLACK POWDER COAT   | MFG ENG:   |          | SCALE: 1 TO 1   | CAD FILE: RAM-109H |
| DO NOT SCALE DRAWING  | QUAL ENG:  |          |   | SHEET 1 OF 1       |