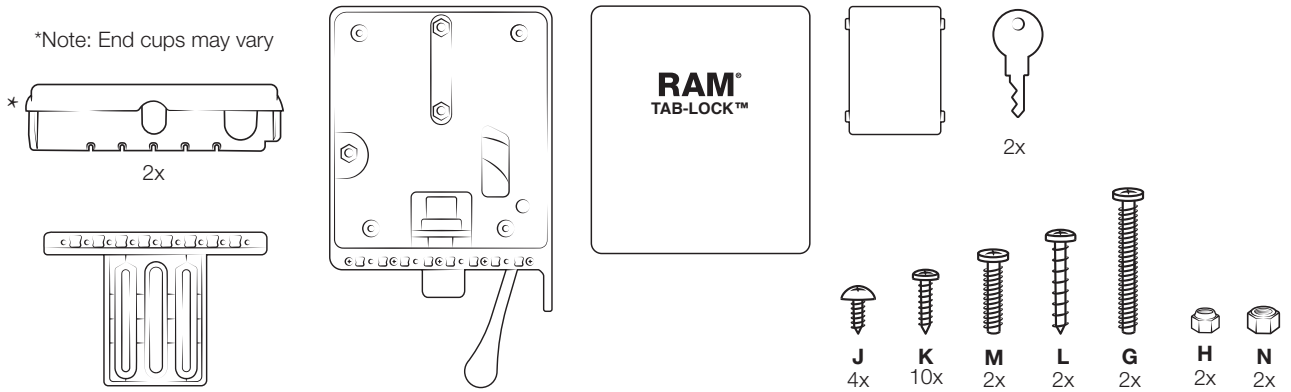
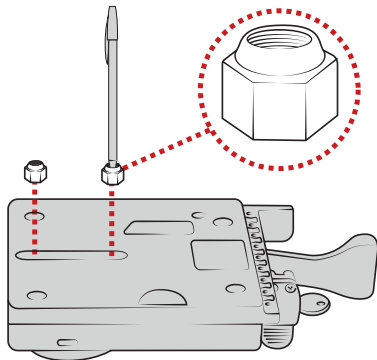


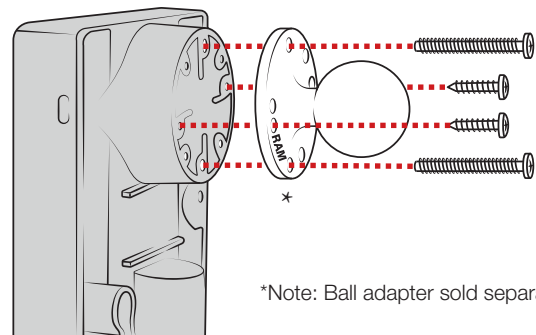
Parts index



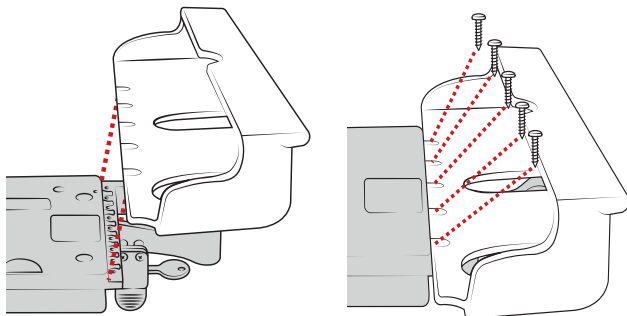
1 Position (H) nuts in nut pockets, guiding them in place with a pen.



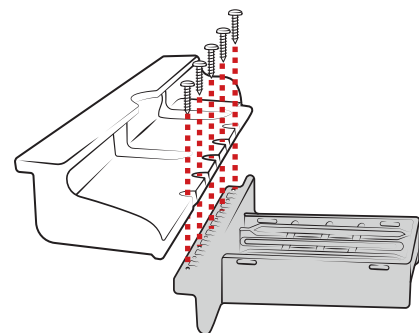
2 While holding (H) nuts in place, attach ball adapter to back of holder using (G) screws. RAM® logo must be facing in the shown direction. Attach additional (L) screws.



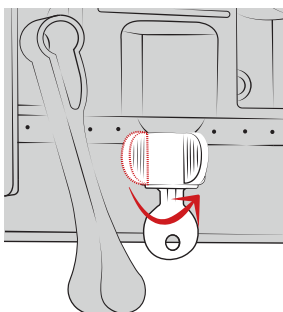
3 Using (K) screws, attach one end cup to Tab-Lock.



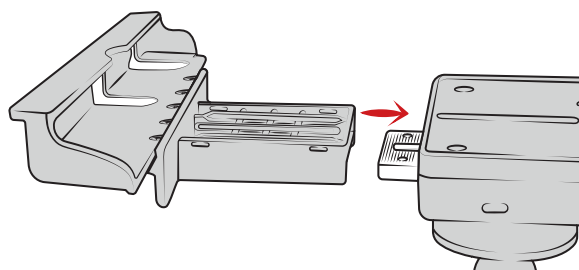
4 Using (K) screws, attach one end cup to the top slide with numbers facing down.



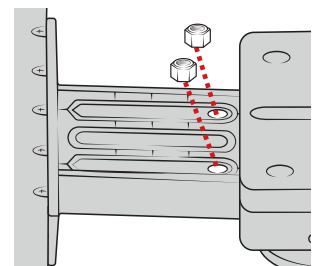
5 Twist key lock to release internal slide.



6 Insert top slide over internal vehicle dock.

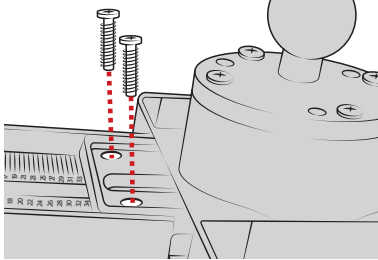


7 Place (N) nuts into top slide, aligning with holes in internal slide.

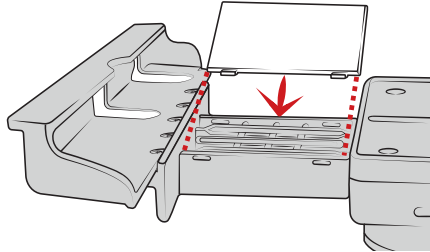


RMR-INS-TL

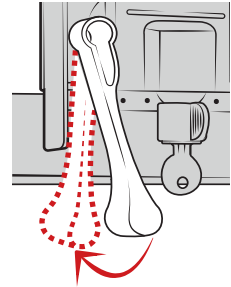
- 8 Attach (M) screws from behind the internal slide. Do not fully tighten (slides must remain loose).



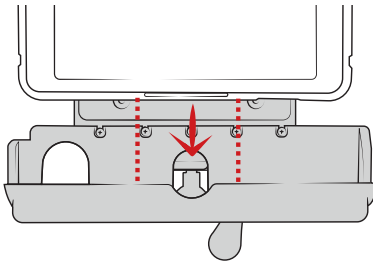
- 9 With the numbers facing down, wedge top slide cover into top slide. Using pressure, snap into place.



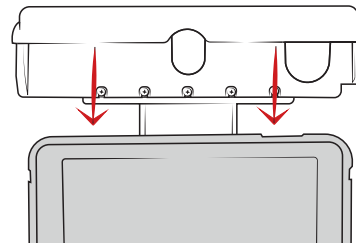
- 10 Pull lever to engage lock.



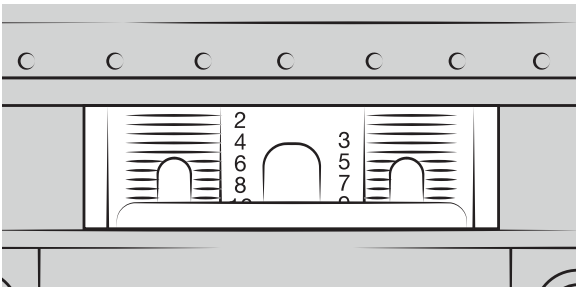
- 11 Place tablet on bottom docking cup.



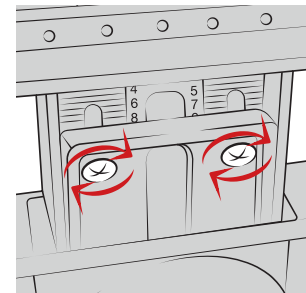
- 12 Press down on top cup to secure over tablet.



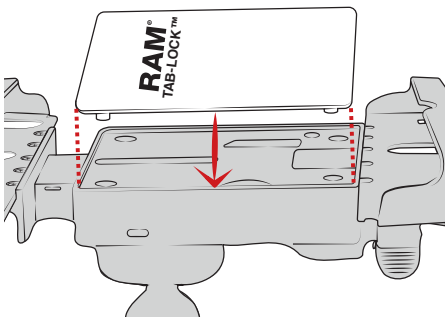
- 13 On the back of the top slide, review the numbers shown in the middle. Take note of the lowest number that is fully visible. This reference will help you in the next step. In this example, the lowest visible number is 8.



- 14 Release lock and remove tablet. Set your top cup to the appropriate setting using the reference number from step 13. When in place, fully tighten the (M) screws.



- 15 Position front cover over vehicle dock assembly.



- 16 Turn Tab-Lock over. Secure front cover using (J) screws on back of slide assembly. Lock must be engaged to access all four holes as shown.

