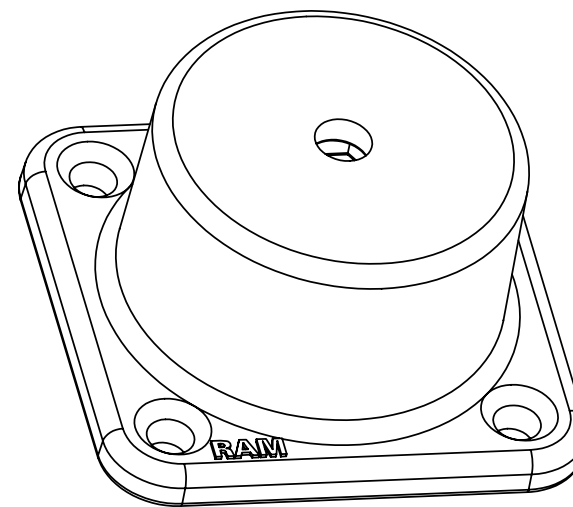
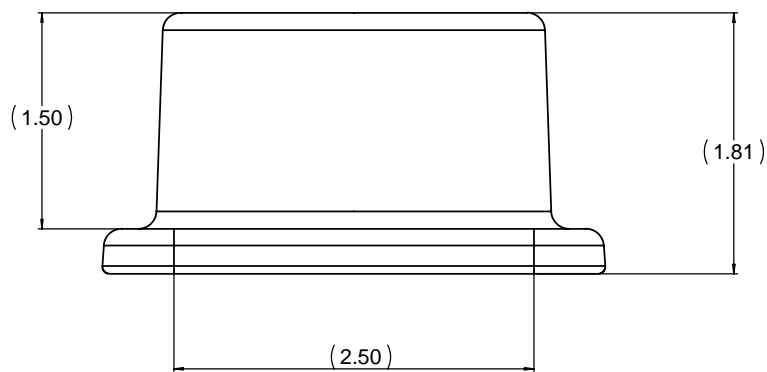
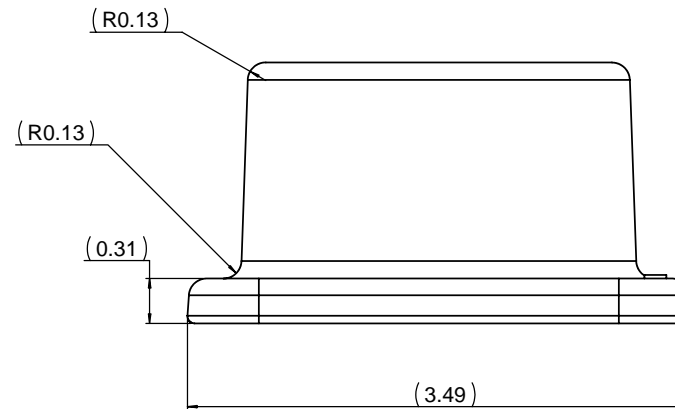
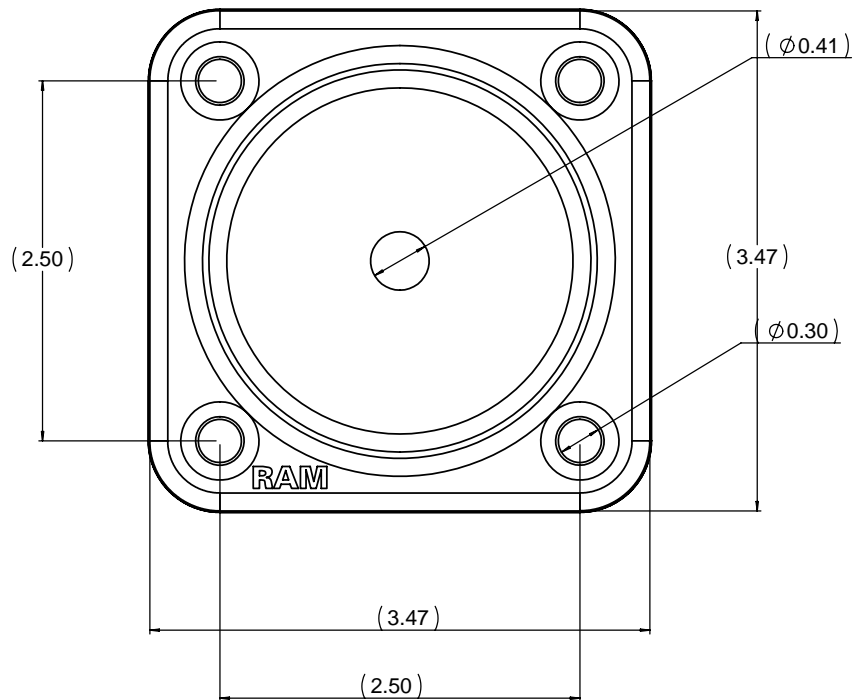


THE INFORMATION CONTAINED IN THIS DRAWING IS THE SOLE PROPERTY OF NATIONAL PRODUCTS INC. ANY REPRODUCTION IN PART OR WHOLE WITHOUT THE WRITTEN PERMISSION OF NATIONAL PRODUCTS INC. IS PROHIBITED.

REV	DESCRIPTION	REVISIONS	DATE	APPROVED



UNLESS OTHERWISE SPECIFIED DIMENSIONS ARE IN INCHES TOLERANCES ARE: FRACTIONS: DECIMALS ANGLES + 1/32 -XX+ .03 +.1 DEG. XXX+ .010	CAD GENERATED DRAWING. DO NOT MANUALLY UPDATE		NATIONAL PRODUCTS INC.	
	APPROVALS	DATE	RAM HORIZONTAL BASE FOR SWING ARM SYSTEM	
MATERIAL	DRAWN	CHECKED	DATE	
ALLUMINUM	JDC	CMR	04/26/07	
FRESH	MFG ENG	RESP ENG		
BLACK	DUAL ENG			
DO NOT SCALE DRAWING	DUAL ENG			
		ISS	DWG. NO.	REV
		C	RAM-109H-B	
		SCALE 1 TO 1	CAD FILE: RAM109HB	SHEET 1 OF 1