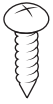


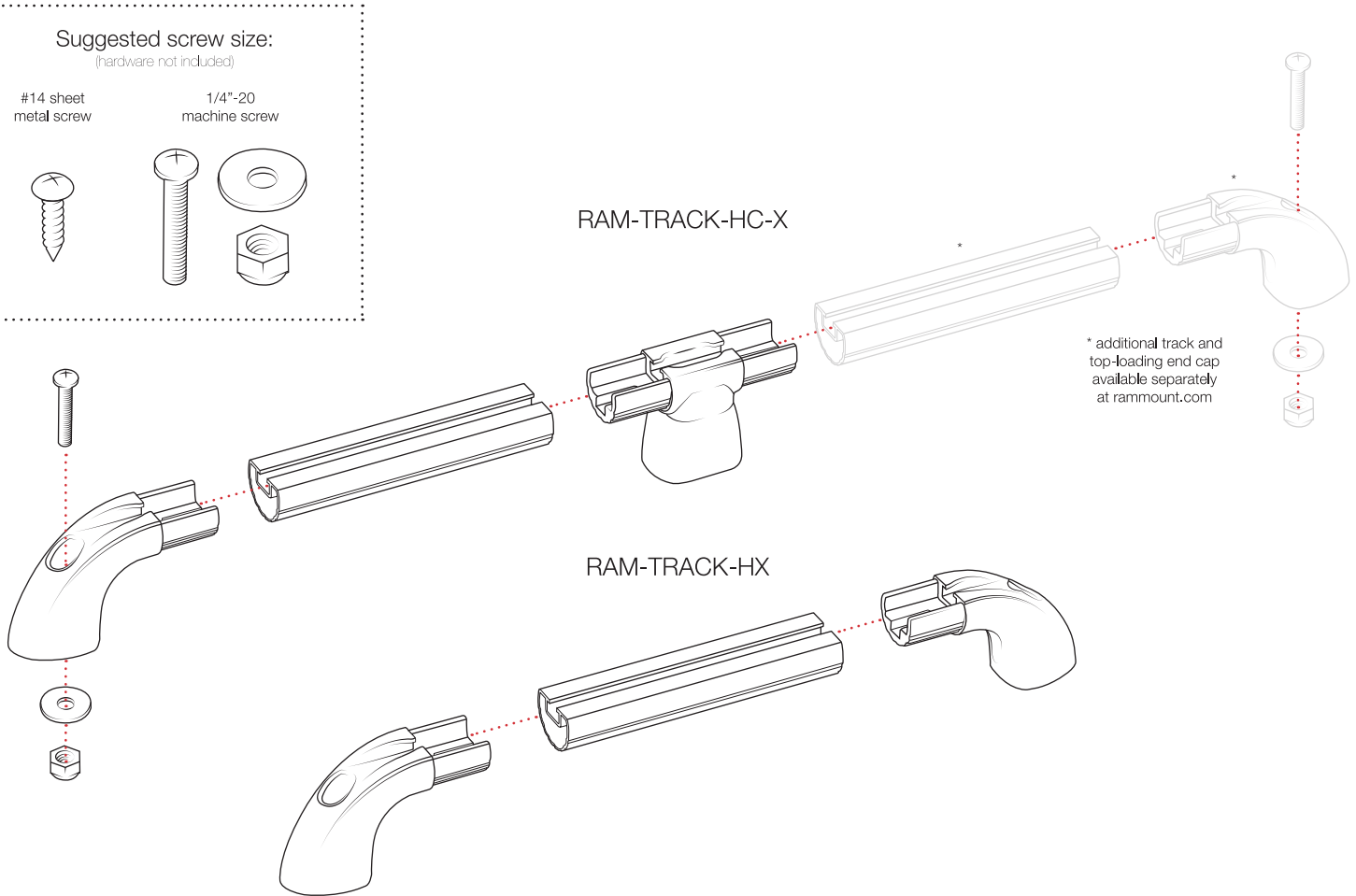
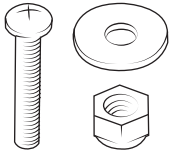
Suggested screw size:

(hardware not included)

#14 sheet
metal screw



1/4"-20
machine screw



RMR-INS-TRACK-H