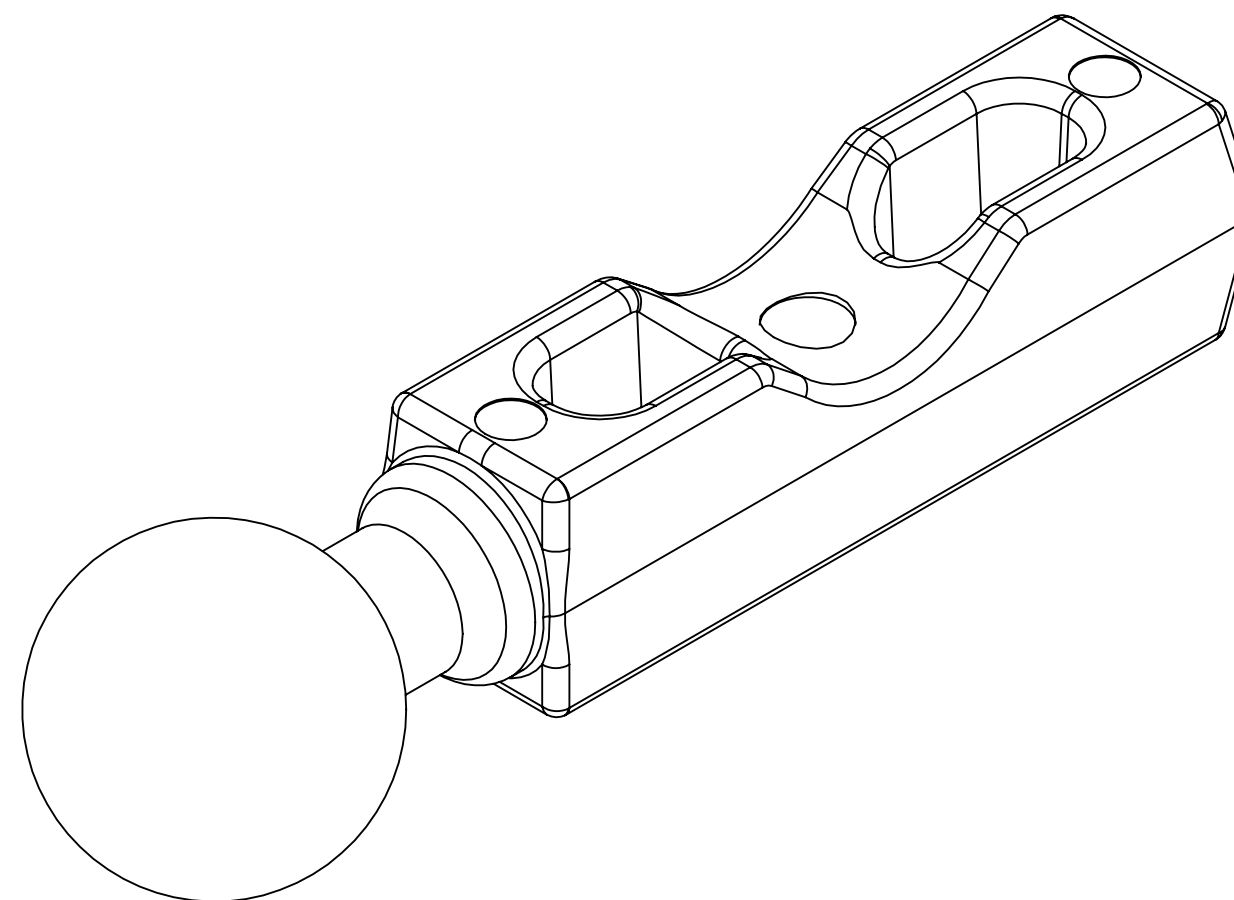
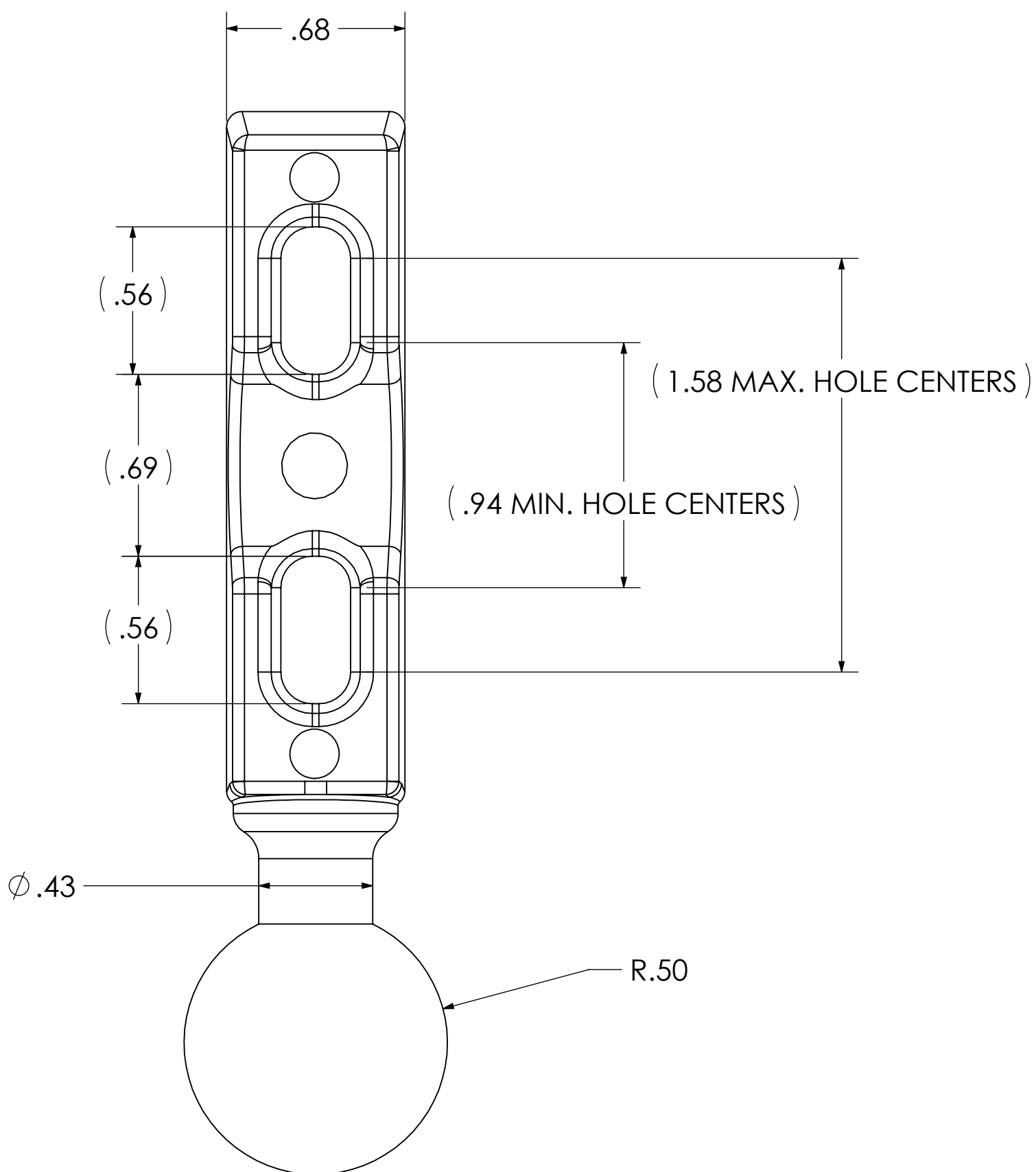
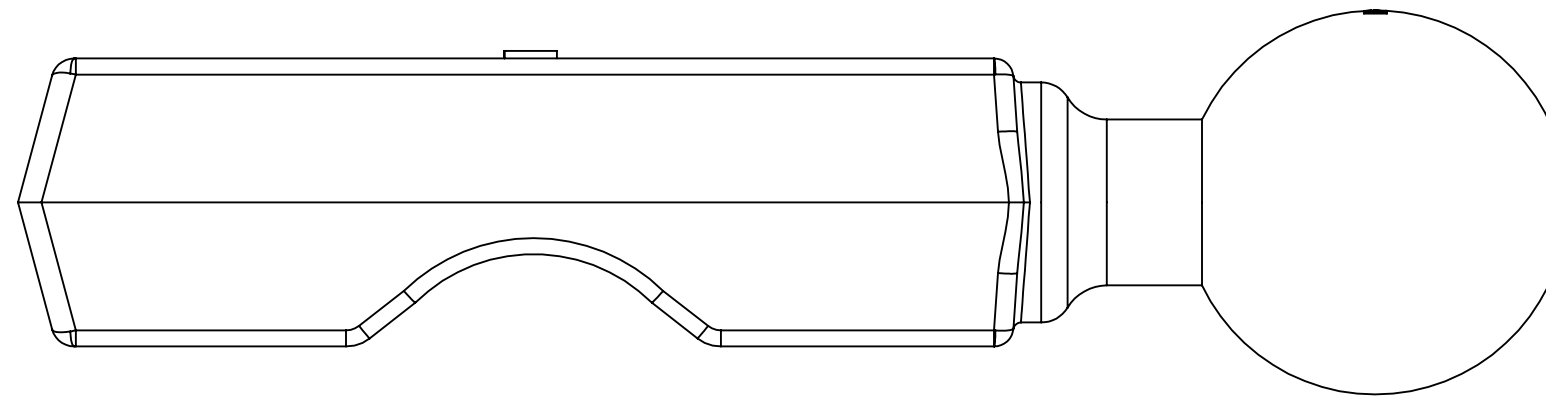
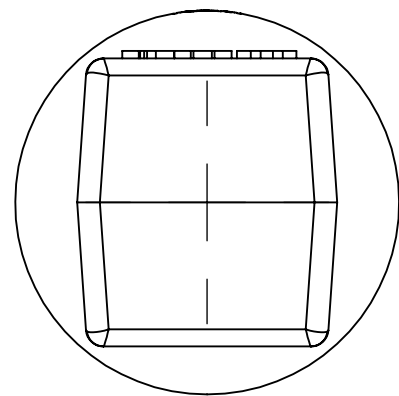


THE INFORMATION CONTAINED IN THIS DRAWING IS THE SOLE PROPERTY OF NATIONAL PRODUCTS INC. ANY REPRODUCTION IN PART OR WHOLE WITHOUT THE WRITTEN PERMISSION OF NATIONAL PRODUCTS INC. IS PROHIBITED.

REVISIONS		DATE	APPROVED
REV.	DESCRIPTION		



UNLESS OTHERWISE SPECIFIED DIMENSIONS ARE IN INCHES TOLERANCES ARE:		CAD GENERATED DRAWING. DO NOT MANUALLY UPDATE		NATIONAL PRODUCTS INC.	
FRACTIONS	DECIMALS	APPROVALS	DATE	RAM 2.75" DIA. SUCT CUP W 1" PLAS BALL	
±1/32	.xx±.03	DRAWN	08/10/17		
ANGLES		CHECKED		SIZE DWG. NO. REV. C RAM-B-309-7U	
1°		RESP ENG			
MATERIAL		MFG ENG		SCALE: 1 TO 1 CAD FILE: SHEET 1 OF 1	
FINISH		QUAL ENG			
DO NOT SCALE DRAWING					