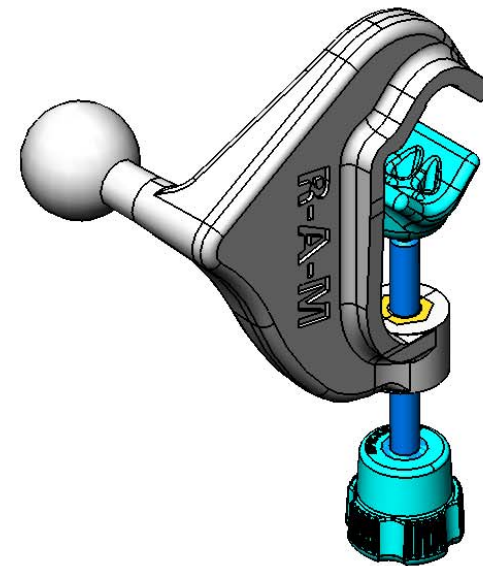
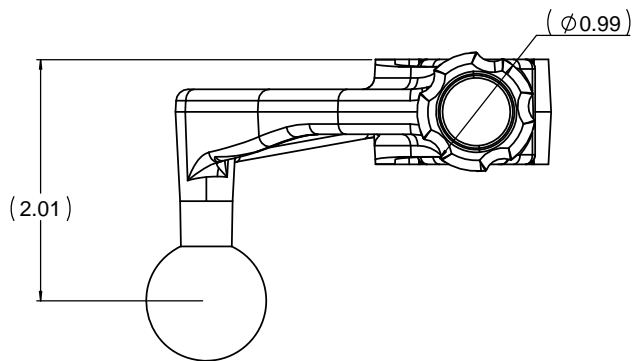
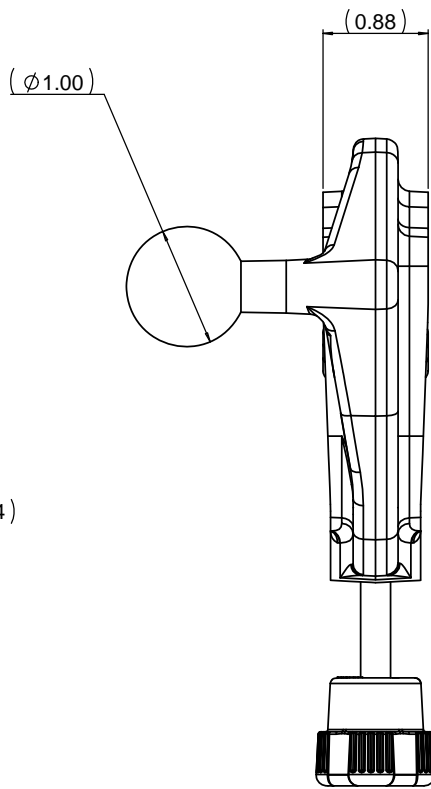
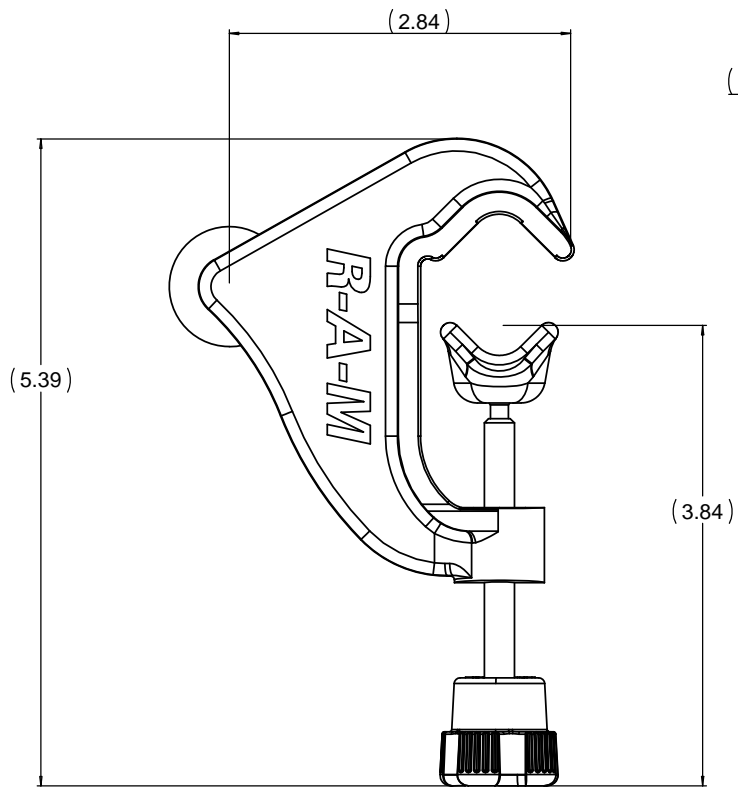


THE INFORMATION CONTAINED IN THIS DRAWING IS THE SOLE PROPERTY OF NATIONAL PRODUCTS INC. ANY REPRODUCTION IN PART OR WHOLE WITHOUT THE WRITTEN PERMISSION OF NATIONAL PRODUCTS INC. IS PROHIBITED.

REV		DESCRIPTION	REVISIONS	DATE	APPROVED



UNLESS OTHERWISE SPECIFIED DIMENSIONS ARE IN INCHES		CADD GENERATED DRAWING DO NOT MANUALLY UPDATE		NATIONAL PRODUCTS INC.	
TOLERANCES ARE:		APPROVALS	DATE	RAM CLAMP FOR YOKE	
FRACTIONS	DECIMALS	JDC	04/25/16	RAM-B-121BU	
+ 1/32	.XX + .06	CHECKED	04/25/16	SCALE 1 TO 1	CAD FILE: RAM-B-121BU
XXX + .030	+ .1 DEG.	RESP ENG		SHEET 1 OF 1	
MATERIAL:	ALUMINUM, PLASTIC, STEEL	MFG ENG			
COLOR:	BLACK	DUAL ENG			
DO NOT SCALE DRAWING					